



art metal

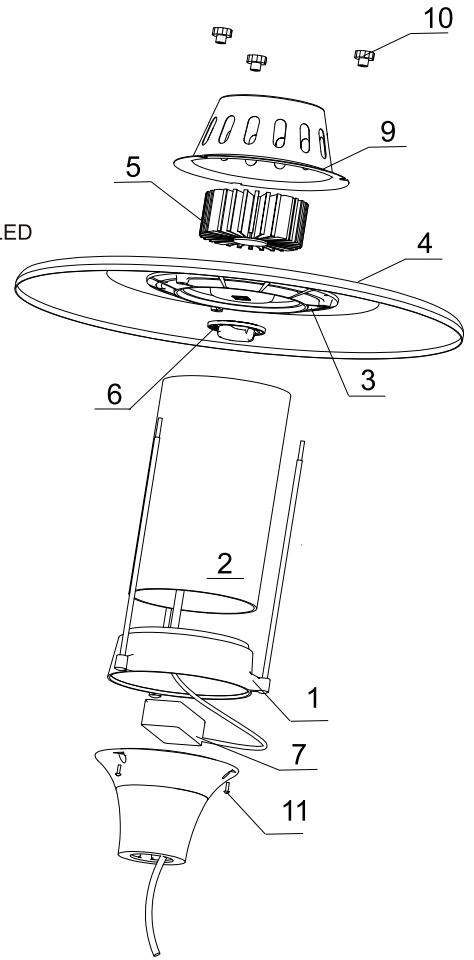
26 AURELIA LED

F.P.H. Art Metal Sp.j.

Ul. Jabłoniowa 124, 83-331 Łapino Kartuskie, Poland
Tel. 0048 58 681 80 78, Fax: 0048 58 681 80 64
www.art-metal.pl e-mail: biuro@art-metal.pl

Construction:

The unit consists of the two-piece body (1) and the shade (2) mounted to the ring (3). Radiator (5) with LED module is fixed to the roof (4) mounted on the ring. Lens (6) tightly closes LED module from the bottom. The radiator is protected by a ventilated cover (9). The module is powered from the power supply voltage (7) placed inside the body (1). The tightness of the luminary ensure the seals (8).

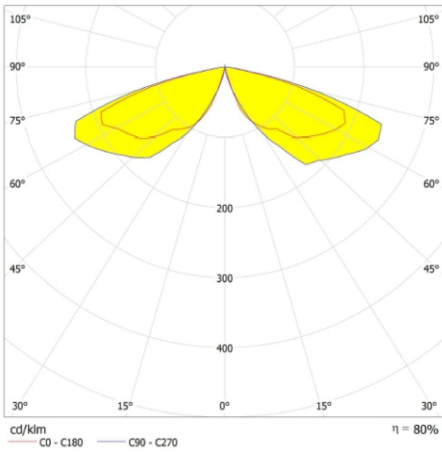


Mounting instructions:

- *) -LED light source assemble to the roof (4) by screwing the radiator (6).
- *) -Assemble the shade (4) and the roof by tightening the mounting screws (10) to the body (1).
- Make electrical connections in accordance with the markings. Tighten the cable glands.
- Screw the two parts of the body(1), using screws (11)
- The luminary is designed to be mounted on a pole (diameter $\varnothing 60\text{-}\varnothing 90$ mm).

If any lantern elements are supplied factory-mounted, the mounting stages marked with *) should be omitted (as this has already been done by the manufacturer).

TECHNICAL DATA:



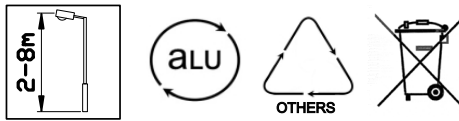
Photometry (polar plot)

Power: ~230/50Hz

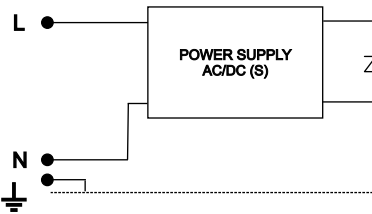
Protective class: I

IP66 -electrical part

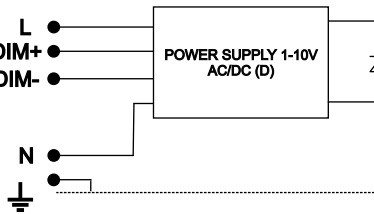
IP66 -optical part



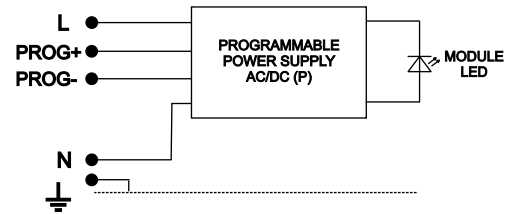
ELECTRICAL DIAGRAMS:



1. Module LED -basic power supply (S)



2. Module LED -dimnable power supply (D)



3. Module LED -programmable power supply (P)

Type	Light-prod. element	Luminous flux[lm]		Weight [kg]	Pn [W]	Luminary dimensions	
		3000K (830)	4000K (840)				
26L-22W	CXB2540	2990	3170	7,9	22		
26L-33W	CMA2550	4286	4609	7,9	33		
26L-38W	CMA2550	4842	5207	7,9	38		
26L-50W	CMA2550	6131	6593	7,9	50		
26L-58W	CMA2550	6896	7415	7,9	58		

Wind area A = 0,24m² L/D 675/700

WARNING !! The weight of the unit may slightly differ for individual production batches.

