

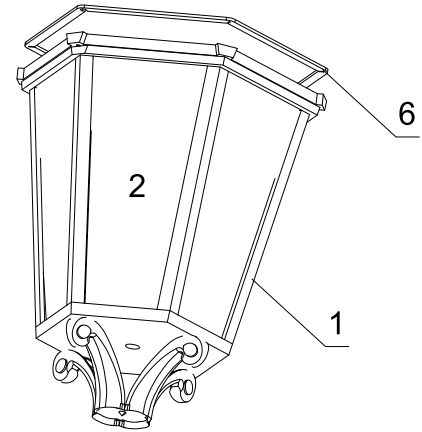
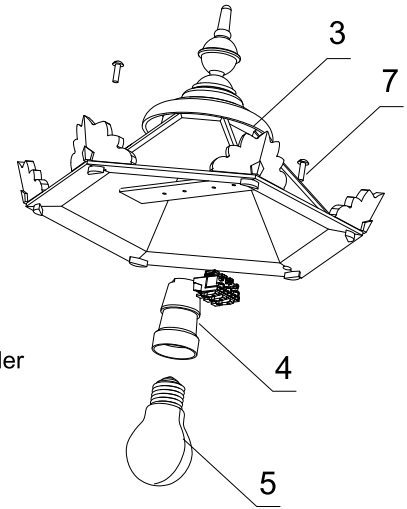


art metal

# AM BELINDA

F.P.H. Art Metal Sp.j.

Ul. Jabłoniowa 124, 83-331 Łapino Kartuskie, Poland  
Tel. 0048 58 681 80 78, Fax: 0048 58 681 80 64  
www.art-metal.pl e-mail: biuro@art-metal.pl



### Construction:

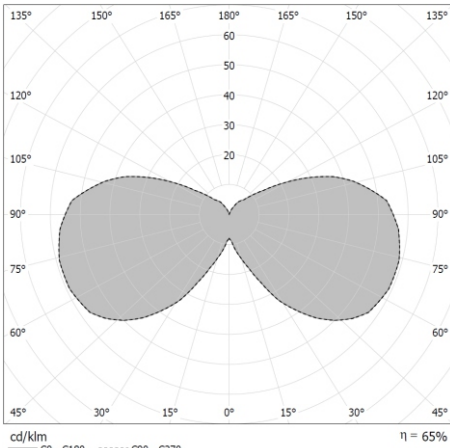
The unit consist of a metal basket (1)with a shade (2) inside. The luminary is closed with a decorative top cover (3) with a ceramic lamp holder (4) and a light source (5) attached. The luminary is sealed with a gasket (6). Top cover is fixed to a basket with 2 screws (7). Suspended version of a luminary is fixed with a M16 thread. A lyre-shaped mounting holder and a masking frame are used to attach luminary to the pole.

### Mounting instructions:

- \*) - mount a lampholder (4) and a connector to the top cover
- connect the electrical cables according to the diagram
- place a light source (5) in the lamp holder (4)
- close luminary with the top cover (3) and tighten the bolts
- mount the unit on a pole or bracket, fix the luminary on a proper position with bolts

If any lantern elements are supplied factory-mounted, the mounting stages marked with \*) should be omitted (as this has already been done by the manufacturer)

### TECHNICAL DATA:



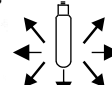
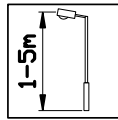
Power: ~230/50Hz

Protective class: I

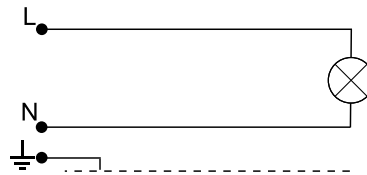
IP65 -electrical part

IP65 -optical part

IK08



### ELECTRICAL DIAGRAM:



1. Incandescent bulb

Type	Light-producing element	Lamp holder	Weight [kg]	Pn [W]	Luminary dimensions
AM Z-E/Z	Bulb / MINI - LINX	E27	2,5	Max. 60	 Wind area $A = 0,14m^2$ H/A 440/315

**WARNING !!** The weight of the unit may slightly differ for individual production batches.

